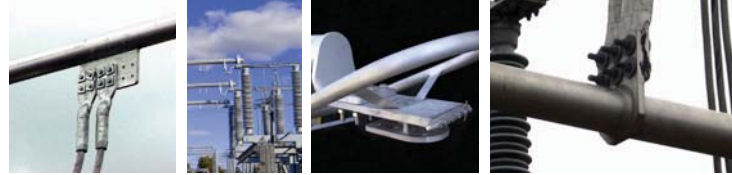
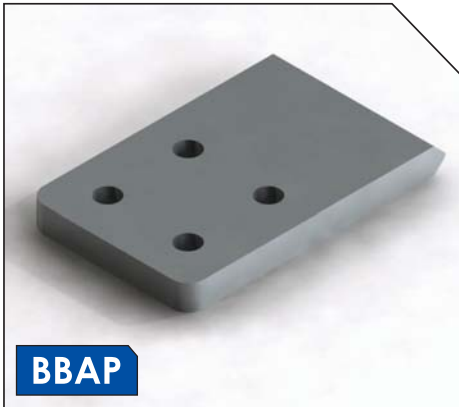


Palms/Flags



Busbar Aluminium Palm (Inline)



Palms can be welded to busbars or end caps and current ratings are matched to the rating of the Busbars. Choose palm types from the selection below. Please contact PLP for various other sizes and styles.

Part Number	Palm Type
BBAP-AS#	AS#

PART NUMBER SYSTEM

BBAP Busbars Aluminium Palm Inline
AS# Palm Type E.g. AS1, AS2 etc...

Example: BBAP-AS5

Busbar Aluminium Palm (Transverse)



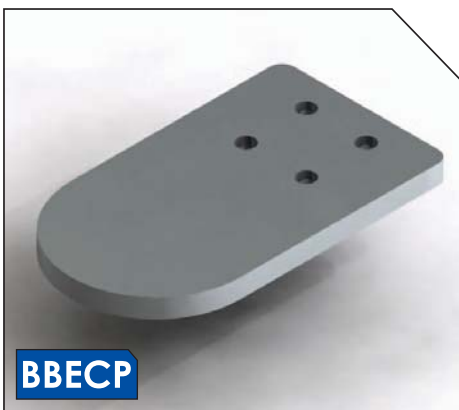
Part Number	Busbar Outer Ø (mm)	Palm Type
BBAPT-080-AS#	80	AS#
BBAPT-100-AS#	100	AS#
BBAPT-125-AS3#	125	AS#
BBAPT-141-AS#	141	AS#
BBAPT-160-AS#	160	AS#

PART NUMBER SYSTEM

BBAPT Busbar Aluminium Palm Transverse
080 Busbar Outer Diameter
AS# Palm Type E.g. AS1, AS2 etc...

Example: BBAPT-080-AS5

Busbar End Cap Palm

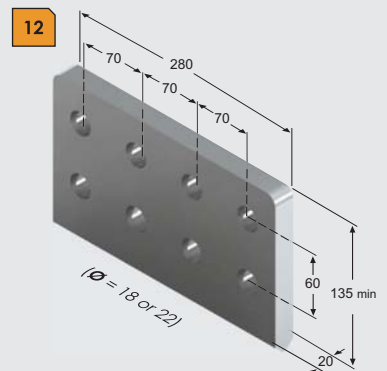


Part Number	Busbar Outer Ø (mm)	Palm Type
BBECP-080-AS#	80	AS#
BBECP-100-AS#	100	AS#
BBECP-125-AS#	125	AS#
BBECP-141-AS#	141	AS#
BBECP-160-AS#	160	AS#

PART NUMBER SYSTEM

BBECP Busbar End Cap Palm
080 Busbar Outer Diameter
AS# Palm Type E.g. AS1, AS2 etc...

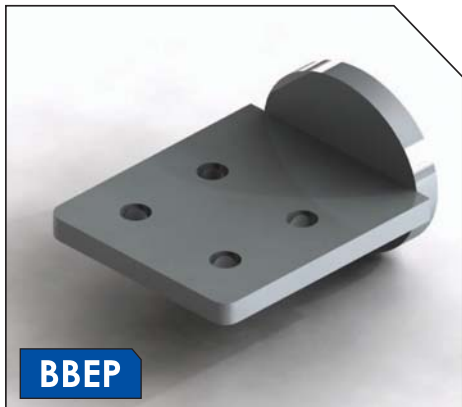
Example: BBECP-080-AS5



Palms/Flag



Busbar End Palm (Capped)



BBEP

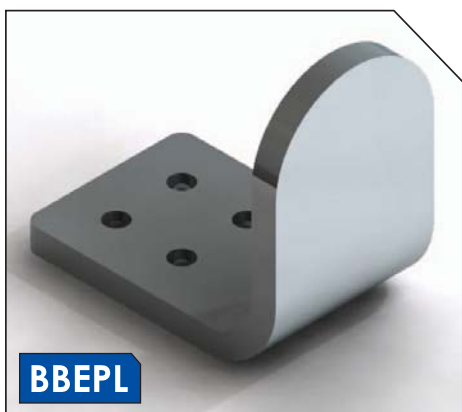
Part Number	Busbar Outer Ø (mm)	Palm Type
BBEP-080-AS#	80	AS#
BBEP-100-AS#	100	AS#
BBEP-125-AS#	125	AS#
BBEP-141-AS#	141	AS#
BBEP-160-AS#	160	AS#

PART NUMBER SYSTEM

BBECP Busbar End Palm Capped
 080 Busbar Outer Diameter
 AS# Palm Type E.g. AS1, AS2 etc...

Example: BBEP-080-AS5

Busbar End Palm (L-Type)



BBEPL

Can be used as an end cap palm and or fixed support

Part Number	Busbar Outer Ø (mm)	Palm Type
BBEPL-080-AS#	80	AS#
BBEPL-100-AS#	100	AS#
BBEPL-125-AS#	125	AS#
BBEPL-141-AS#	141	AS#
BBEPL-160-AS#	160	AS#

PART NUMBER SYSTEM

BBEPL Busbar End Palm L-Type
 080 Busbar Outer Diameter
 AS# Palm Type E.g. AS1, AS2 etc...

Example: BBEP-080-AS5

