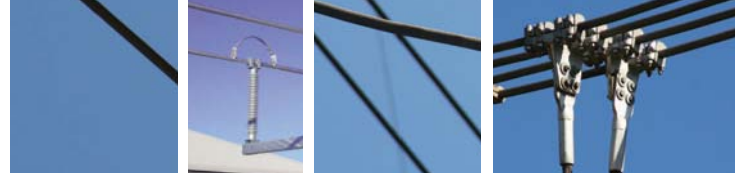


# Parallel Groove Clamps

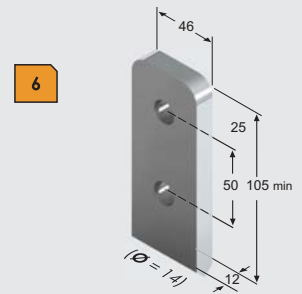
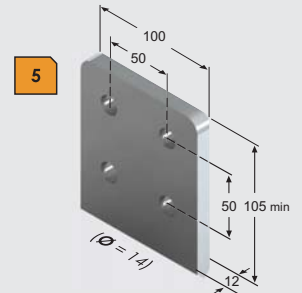
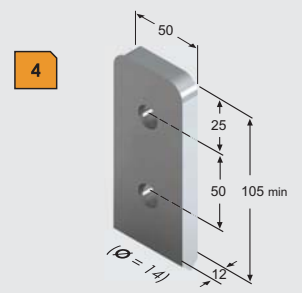
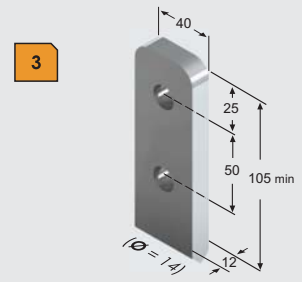


## Aluminium Parallel Groove (Clamp)



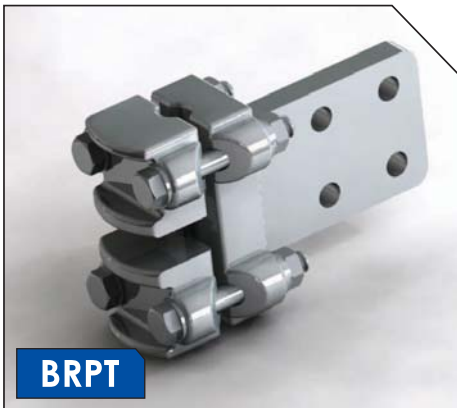
Many parallel groove clamps are available tin plated for use with copper conductor. Please contact PLP for your specific requirements.

Part Number	Clamp Diameters (mm)	Material
APG-135	5.25 - 13.5	Al
APG-188DG	8.0 - 19.0	Al
APG-188SG	9.0 - 19.0	Al
APG-263104-T	10.4 - 26.3	Tinned Al
APG-163105-T	10.5 - 16.3	Tinned Al
APG-210DG	12.0 - 22.0	Al
APG-315-315-2	16.3 - 33.8	Al
APG-263165-T	16.5 - 26.3	Tinned Al
APG-338165-T	16.5 - 33.8	Tinned Al
APG-238-238	22.0 - 24.0	Al
APG-293-293-1	27.0 - 30.0	Al
APG-315-338-1	31.5 - 33.8	Al



# Bolted Connections

## Bolted Run Palm Tap

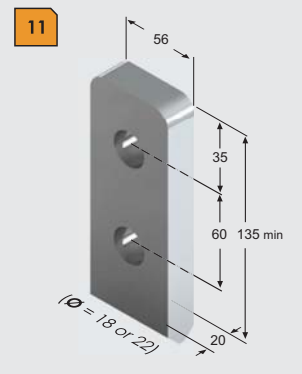
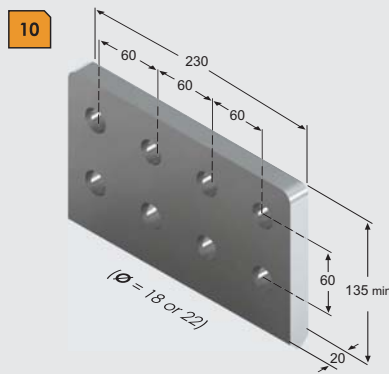
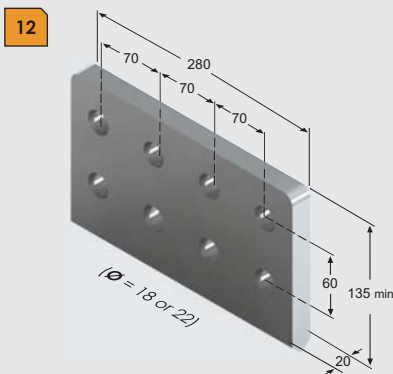


Part Number	Conductor Ø (mm)	Palm Type
BRPT-175-AS#	13.5-19.5	AS#
BRPT-210-AS#	19.6-24.0	AS#
BRPT-263-AS#	24.1-30.0	AS#
BRPT-338-AS#	30.1-35.0	AS#
BRPT-380-AS#	38.0	AS#
BRPT-396-AS#	39.6	AS#

### PART NUMBER SYSTEM

BRPT Bolted Run Palm Tap  
 175 Conductor Outer diameter  
 AS# Palm Type E.g AS1, AS2, AS3 etc...

Example: BRPT-163-AS5



# Bolted Connections



## Bolted Run Compression Tee



**BRCT**

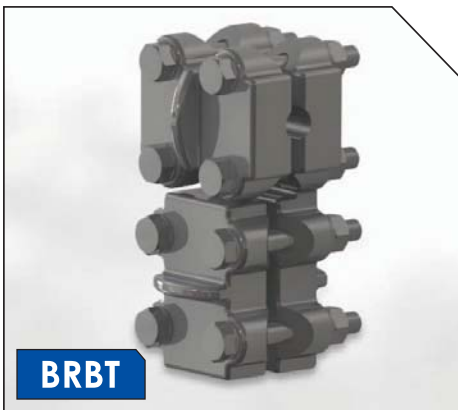
### PART NUMBER SYSTEM

BRCT Bolted Run Compression Tee  
 # Bolted Run Conductor Diameter  
 Insert one of the following:  
 175 (13.5 - 19.5)  
 210 (19.6 - 24.1)  
 263 (24.1 - 30.0)  
 315 (30.1 - 35.0)

Example: BRCT-175-143

Part Number	Bolted Run Conductor Ø Range (mm)	Tee Conductor Ø (mm)
BRCT-#-143	#	14.3
BRCT-#-165	#	16.5
BRCT-#-175	#	17.5
BRCT-#-188	#	18.8
BRCT-#-193	#	19.3
BRCT-#-210	#	21.0
BRCT-#-235	#	23.5
BRCT-#-238	#	23.8
BRCT-#-245	#	24.5
BRCT-#-252	#	25.2
BRCT-#-254	#	25.4
BRCT-#-260	#	26.0
BRCT-#-263	#	26.3
BRCT-#-270	#	27.0
BRCT-#-286	#	28.6
BRCT-#-293	#	29.3
BRCT-#-315	#	31.5
BRCT-#-338	#	33.8

## Bolted Run Bolted Tee



**BRBT**

Bolted run bolted tee fittings are designed to connect stranded conductors

Part Number	Run - Conductor Outer Ø Range (mm)	Tee - Conductor Outer Ø Range (mm)
BRBT-210-210	19.6 - 24.0	19.6 - 24.0
BRBT-210-270	19.6 - 24.0	24.1 - 30.0
BRBT-263-188	24.1 - 30.0	13.5 - 19.5
BRBT-293-293	24.1 - 30.0	24.1 - 30.0
BRBT-338-143	30.1 - 35.0	13.5 - 19.5
BRBT-338-210	30.1 - 35.0	19.6 - 24.0
BRBT-338-338	30.1 - 35.0	30.1 - 35.0
BRBT-340-326	30.1 - 35.0	30.1 - 35.0

### PART NUMBER SYSTEM

BRBT Bolted Run Bolted Tee  
 210 Run Conductor Outer Diameter Range  
 210 Tee Conductor Outer Diameter Range

