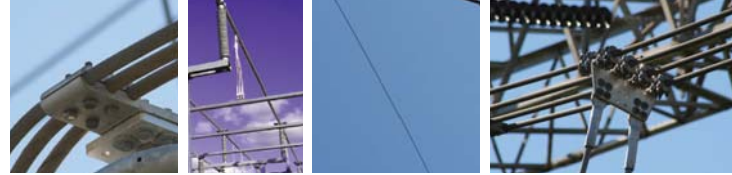


Double Conductor



Bolted Run Terminal Lug



Part Number	Conductor Ø Range (mm)	Palm Type
BRTL-175-AS#	13.5-19.5	AS#
BRTL-238-AS#	19.6 -24.1	AS#
BRTL-263-AS#	24.1 - 30.0	AS#
BRTL-315-AS#	30.1 - 35.0	AS#

PART NUMBER SYSTEM

BRTL	Bolted Run Terminal Lug
175	Conductor Outer Diameter Range
AS#	Palm Type E.g. AS1, AS2 etc...

Example: BRTL-175-AS5

Bolted Run Bolted Stem



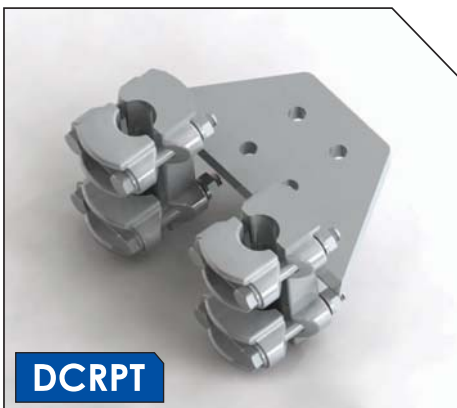
Pin type bolted fittings are designed to be as through connections to equipment bushings and pins and are not designed to carry high current loads. Tin plating is available as an option where connection onto copper occurs.

Part Number	Conductor Ø Bolted Run (mm)	Bolted Stem ID (mm)
BRBS-143-25	13.5-19.5	25.0
BRBS-163-26	13.5-19.5	26.0
BRBS-210-30	19.6-24.0	30.0
BRBS-315-30	30.1-35.0	30.0

PART NUMBER SYSTEM

BRBS	Bolted Run Bolted Stem
143	Run - Conductor Outer Diameter
25	Stem Diameter

Double Conductor Run Palm Tap

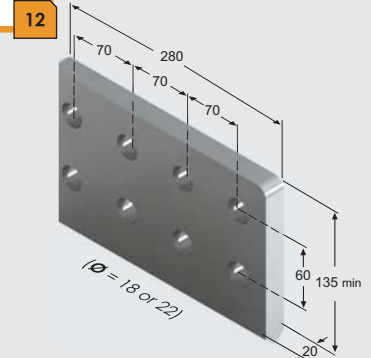


Part Number	Conductor Ø Bolted Run (mm)	Palm Type
DCRPT-210-AS#	19.6 - 24.0	AS#
DCRPT-263-AS#	24.1 - 30.0	AS#
DCRPT-338-AS#	30.1 - 35.0	AS#

PART NUMBER SYSTEM

DCRPT	Double Conductor Run Palm Tap
210	Run - Conductor Outer Diameter
AS#	Palm Type E.g AS1, AS2 etc...

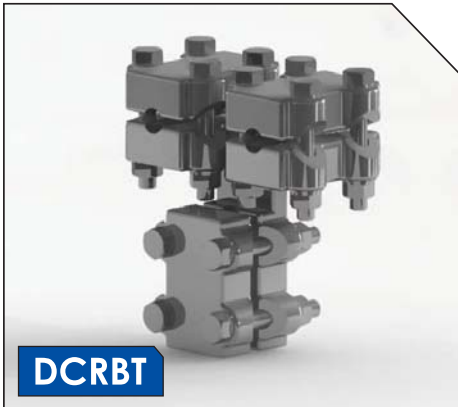
Example: DCRPT-210-AS5



Double Conductor



Double Conductor Run Bolted Tee



DCRBT

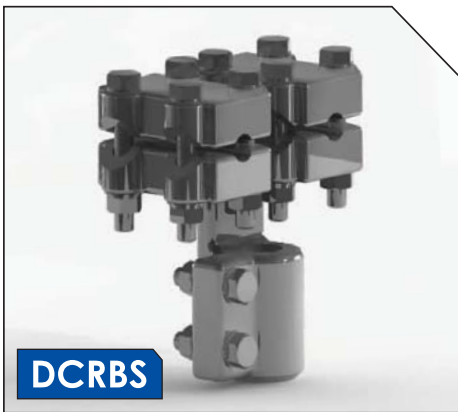
The DCRBT is a double conductor version of the BRBT on page 41

Part Number	Bolted Run Ø Range (mm)	Conductor Ø Bolted Tee (mm)
DCRBT-210-210	19.6 – 24.0	19.6 – 24.0
DCRBT-338-338	30.1 – 35.0	30.1 – 35.0

PART NUMBER SYSTEM

DCRBT Double Conductor Run Bolted Tee
 210 Run - Conductor Outer Diameter
 210 Tee - Conductor Outer Diameter

Double Conductor Run Bolted Stem



DCRBS

Pin type bolted fittings are designed to be as through connections to equipment bushings and pins and are not designed to carry high current loads. Tin plating is available as an option where connection onto copper occurs.

Part Number	Bolted Run Ø Range (mm)	Bolted Stem ID (mm)
DCRBS-315-30-1	30.1 – 35.0	30

PART NUMBER SYSTEM

DCRBS Double Conductor Run Bolted Stem
 315 Run - Conductor Outer Diameter
 30 Stem - Diameter

