

Overhead & Landing Span Fittings



Link Single Plate



LSP

Galvanised Steel

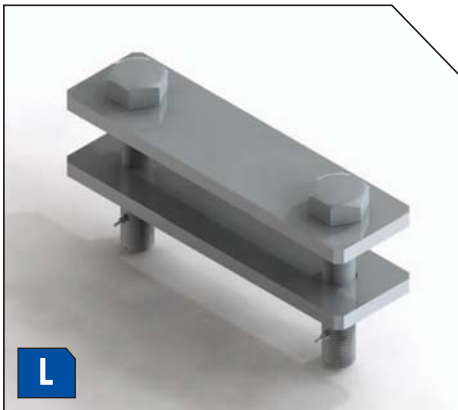
Part Number	Rating kN	Hole Separation (mm)
LSP-070-#	70	#
LSP-120-#	120	#
LSP-160-#	160	#

PART NUMBER SYSTEM

LSP	Link Single Plate
070	Link Plate Rating (070, 120, 160 available)
#	Hole Separation (100, 150, 200, 250, 300, 350)

Example: LSP-070-100

Link (Plate Double)



L

Galvanised Steel

Part Number	Rating kN	Hole Separation (mm)
L-070-#	70	#
L-120-#	120	#
L-160-#	160	#

PART NUMBER SYSTEM

L	Link
070	Link Plate Rating (070, 120, 160 available)
#	Hole Separation (100, 150, 200, 250, 300, 350)

Example: L-070-100

Clevis Tongue Sag Link



CTSL

Galvanised Steel

Part Number	Rating kN	Hole Ø (mm)	Range (mm)	
			Minimum	Maximum
CTSL-070-1	70	18	556	974
CTSL-120	120	18	565	870
CTSL-160-1	160	22	535	735

PART NUMBER SYSTEM

CTSL	Clevis Tongue Sag Link
070	Sag Link Rating (070, 120, 160 available)

Overhead & Landing Span Fittings



Maintenance Tension Link



Galvanised Steel

Part Number	Tension Rating kN	Hole Centre Spacing (mm)
MTL-160-4	160	60

Yoke Plate Triangular



Galvanised Steel

Part Number	Tension Rating kN	Hole Centre Spacing (mm)
YPT-070-#	70	#
YPT-120-#	120	#
YPT-160-#	160	#

PART NUMBER SYSTEM

YPT	Yoke Plate Triangular
070	Yoke Plate Rating (070, 120, 160 available)
#	Hole Separation (070, 100, 125, 150, 200, 250, 380, 460 available)

Example: YPT-070-100

Yoke Plate Rectangular



Galvanised Steel

Part Number	Tension Rating kN	Hole Centre Spacing (mm)
YPR-070-#	70	#
YPR-120-#	120	#
YPR-160-#	160	#

PART NUMBER SYSTEM

YPR	Yoke Plate Rectangular
070	Yoke Plate Rating (070, 120, 160 available)
#	Hole Separation (070, 100, 125, 150, 200, 250, 380, 460 available)

Example: YPR-070-100

Overhead & Landing Span Fittings



Ball Eye

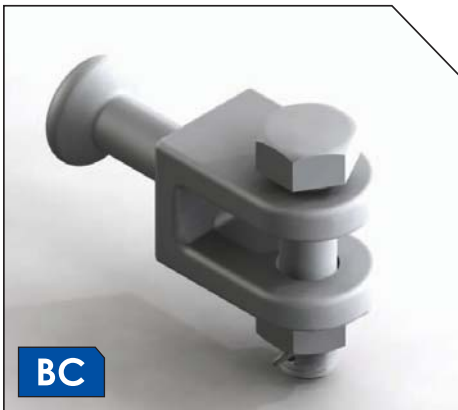


BE

Galvanised Forged Steel

Part Number	Tension Rating kN	Ball Size (mm)
BE-070-1	70	16
BE-120	120	20
BE-160	160	20

Ball Clevis



BC

Galvanised Forged Steel

Part Number	Tension Rating kN	Bolt Size (mm)
BC-070-1	70	M16
BC-120-1	120	M16
BC-160-3	160	M20

Eye Tongue



ET

Galvanised Forged Steel

Part Number	Tension Rating kN
ET-070-1	70
ET-120-1	120
ET-160-1	160

Overhead & Landing Span Fittings



Twisted Eye Tongue



TET

Galvanised Forged Steel

Part Number	Tension Rating kN
TET-070-1	70
TET-120-1	120
TET-160-1	160

Socket Ball



SB

Galvanised Forged Steel

Available with 'W' or 'R' type security clips

Part Number	Tension Rating kN	Socket Size (mm)	Ball Size (mm)
SB-070-1	70	16	16
SB-120-1	120	20	20
SB-160-1	160	20	20

Socket Clevis



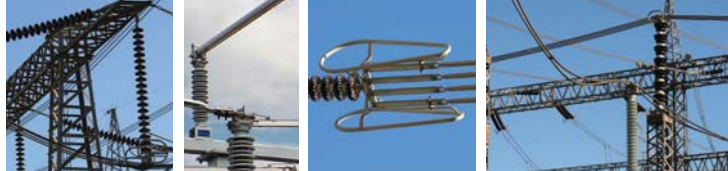
SC

Galvanised Forged Steel or Cast Iron

Available with 'W' or 'R' type security clips

Part Number	Tension Rating kN	Socket Size (mm)	Bolt Size (mm)
SC-070-1	70	16	M16
SC-120-1	120	16	M16
SC-160-1	160	20	M20

Overhead & Landing Span Fittings



Twisted Socket Tongue



Galvanised Forged Steel or Cast Iron
Available with 'W' or 'R' type security clips

Part Number	Tension Rating kN	Bolt Size (mm)
TST-070-1	70	M16
TST-120-1	120	M16
TST-160-1	160	M20

TST

Tongue Clevis



Galvanised Forged Steel

Part Number	Tension Rating kN	Bolt Size (mm)
TC-070-1	70	M16
TC-120-1	120	M16

TC

Twisted Clevis Tongue



Galvanised Forged Steel

Part Number	Tension Rating kN	Bolt Size (mm)
TCT-070-1	70	M16
TCT-160-1	160	M20

TCT



PREFORMED LINE PRODUCTS
(THAILAND) LTD.

Overhead & Landing Span Fittings



Extension Link Ball Eye



ELBE

Galvanised Forged Steel

Part Number	Tension Rating kN	Coupling Length (mm)	Ball Size (mm)
ELBE-160-250-1	160	250	20
ELBE-160-350-1	160	350	20
ELBE-160-500-1	160	500	20
ELBE-160-620-1	160	620	20
ELBE-160-800-1	160	800	20
ELBE-160-1000	160	1000	20
ELBE-160-1100-1	160	1100	20
ELBE-160-1330	160	1330	20
ELBE-160-1620	160	1620	20
ELBE-160-2000	160	2000	20

Extension Link Ball Clevis



ELBC

Galvanised Forged Steel

Part Number	Tension Rating kN	Coupling Length (mm)	Ball Size (mm)	Bolt Size (mm)
ELBC-160-1	160	250	20	M20

Extension Link Socket Clevis



ELSC

Galvanised forged steel. Available with 'W' or 'R' type security clips.

Part Number	Tension Rating kN	Coupling Length (mm)	Socket Size (mm)	Bolt Size (mm)
ELSC-160-1	160	250	20	M20

Overhead & Landing Span Fittings



Shackle



S

Galvanised Forged Steel

Part Number	Tension Rating kN	Bolt Size (mm)
S-070-1	70	M16
S-120-1	120	M16
S-160-1	160	M20

Turnbuckles - Clevis/Clevis



TBCC

Galvanised Forged Steel

Part Number	Rating kN	Bolt Size (mm)	Range (mm)	
			Minimum	Maximum
TBCC-070-1	70	M16	350	480
TBCC-160-1	160	M20	480	600

Turnbuckles - Clevis/Tongue



TBCT

Galvanised Forged Steel

Part Number	Rating kN	Bolt Size (mm)	Range (mm)	
			Minimum	Maximum
TBCT-070-1	70	M16	350	480
TBCT-160-1	160	M20	480	600

Overhead & Landing Span Fittings



Turnbuckles - Eye/Clevis



Galvanised Forged Steel

Part Number	Rating kN	Bolt Size (mm)	Range (mm)	
			Minimum	Maximum
TBEC-070-1	70	M16	350	480
TBEC-160-1	160	M20	480	600

TBEC

Turnbuckles - Eye/Eye



Galvanised Forged Steel

Part Number	Rating kN	Range (mm)	
		Minimum	Maximum
TBEE-070-1	70	350	480
TBEE-160-1	160	480	600

TBEE