

Hardware Fittings



Shackles - Galvanised Forged Steel



S

Part Number (Shackle)	Tension Rating (kN)	Bolt Size (mm)	Standard Pack Quantity
S-070-1	70	M16	25
S-120-1	120	M16	25
S-160-1	160	M20	15
S-210-1	210	M20	15

Part Number (Twisted)	Tension Rating (kN)	Bolt Size (mm)
TS-070-1	70	M16

Aluminium Sheave - 54mm



AS

Bolt holes to suit M16 and M20 bolts.

Part Number	Bore Diameter (mm)	Standard Pack Quantity	Colour Code
AS-54-17	17	25	Red
AS-54-22	22	25	Green

Sheave - Machined Steel



THGR

Part Number	Hole Size (mm)	Sheave Diameter (mm)
THGR-57	21	57
THGR-75	26	75
THGR-146A-C	50	146
THGR-146B-C	26	146
THGR-150	32	150
THGR-150-25	25	150
THGR-150-36	38	150

Hardware Fittings



Clevis Thimble - Galvanised Cast Iron



CTH

- MFL 70kN
- Used for small GZ or copper grips

Par Number	Maximum Grip Size	Thimble Bend Radius (mm)	Standard Pack Quantity
CTH-070-MCI	GFG-083 CFG-100-CL	20	25

Clevis Thimble - Galvanised Cast Iron



GCT

- MFL 120 kN
- Used for medium to large GZ and copper grips

Part Number	Maximum Grip Size	Thimble Bend Radius (mm)	Standard Pack Quantity
GCT-120-TC5F	GFG-163 CFG-260-LT-CL	28.5	25

Clevis Thimble - Aluminium



ACT

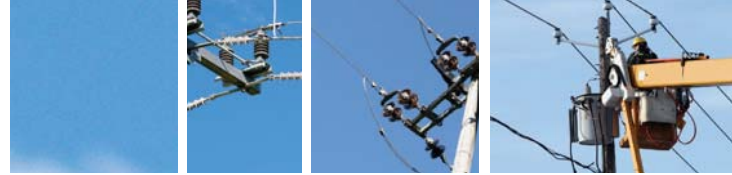
For use with aluminium and aluminium clad steel deadends.

- Corrosion resistant aluminium alloy.
- Galvanised steel pin.
- Stainless steel split pin.
- ACT-27-16 rated at 70 kN.
- ACT-37-16 rated at 80 kN.

Part Number	Maximum Grip Size	Thimble Bend Radius (mm)	Standard Pack Quantity
ACT-27-16	AFG-188-CL	36	25
ACT-27-16HP	AFG-188-CL	36	25
ACT-37-16	AFG-240-LT-CL	36	25
ACT-37-16HP	AFG-240-LT-CL	36	25

Note: HP denotes Hex Pin

Hardware Fittings



Wire Rope Thimble - Closed



Part Number	Bend Radius (mm)	Seat Width (mm)	Threaded Length (mm)
THWC-10	12.5	11	150
THWC-12	15	13	150
THWC-16	20	18	150
THWC-20	25	22	150

Wire Rope Thimble - Open



Part Number	Bend Radius (mm)	Seat Width (mm)	Opened Width (mm)
THWO-10	12.5*	11	14
THWO-12	15*	13	17
THWO-16	20*	18	21
THWO-20-4	25*	22	24
THWO-22	27.5*	24	28

Note: Bend radius will be slightly larger on open thimbles.

Safety Hook Plate

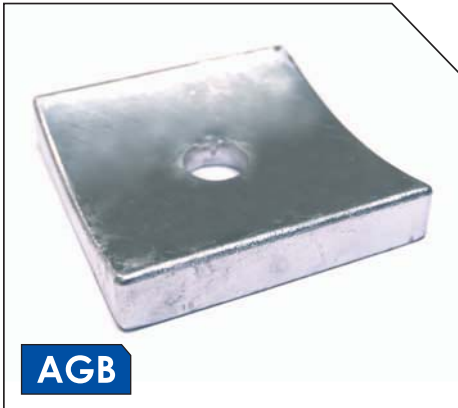


Part Number	Hook Size (mm)	Hole Size (mm)	Tension Rating (kN)	Standard Pack Quantity
GSHP-16	M16	14	3	25

Hardware Fittings



Aluminium Gain Block - Type 1



Type 1 is used for pole top transformer mounting.

Part Number	Length x Width (mm)	Hole Diameter (mm)	Standard Pack Quantity
AGB-100-22	100 x 100	22	25

Aluminium Gain Block - Type 2



Gain Block for mounting cross-arm onto concrete or wooden poles.

Part Number	Cross Arm Size (mm)	Standard Pack Quantity
AGB-100	100	25
AGB-125	125	25

Stainless Steel Conical Washer



A Stainless Steel Conical Spring Washer, when compressed by a bolt into timber, the coils compact into each other until the entire form is flat. The volute tapered washer maintains a constant pressure on the bolt ensuring any shrinkage of the timber does not affect the torque of the bolt.

Part Number	Bolt Size (mm)	Standard Pack Quantity
SSCW-12	M12	50
SSCW-16/20	M16 / M20	50
SSCW-24	M24	50

Hardware Fittings



Socket Clevis - Galvanised Forged Steel



Available with 'W' or 'R' clip security pin

Part Number	Tension Rating (kN)	Socket Size (mm)	Bolt Size (mm)	Standard Pack Quantity
SC-070-1	70	16	M16	25
SC-120-1	120	16	M16	-
SC-160-1	160	20	M20	-
SC-210-1	210	20	M20	8

Socket Thimble - Galvanised Cast Iron



'W' clip security pin

Part Number	Tension Rating (kN)	Thimble Bend Radius (mm)	Standard Pack Quantity
STH-070-1	70	20	25

Socket Tongue



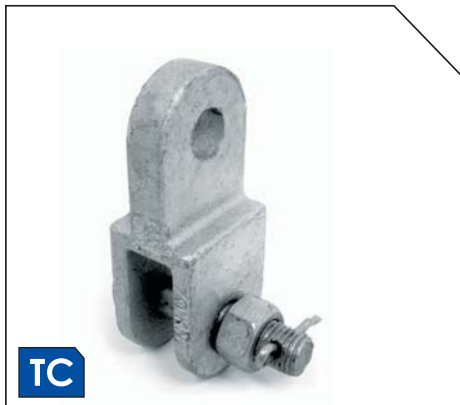
Available with 'W' or 'R' clip security pin

Part Number	Tension Rating (kN)	Bolt Size (mm)	Standard Pack Quantity
ST-070-1	70	M16	25
ST-160-1	160	M20	-
ST-210-1	210	M20	-

Hardware Fittings



Tongue Clevis - Galvanised Cast Iron



TC

Part Number	Tension Rating (kN)	Bolt Size (mm)	Standard Pack Quantity
TC-070-1	70	M16	25
TC-120-1	120	M16	25

Ball Clevis - Cast Iron



BC

Part Number	Tension Rating (kN)	Bolt Size (mm)	Ball Size (mm)	Standard Pack Quantity
BC-070-1	70	M16	16	25
BC-120-1	120	M16	16	25
BC-160-8	160	M20	20	15
BC-210-1	210	M20	20	-

Y Clevis Tongue - Forged



CTY

Part Number	Tension Rating (kN)	Bolt Size (mm)	Hole Size (mm)	Standard Pack Quantity
CTY-070-1	70	M16	18	25
CTY-160-44-8	160	M20	21.5	-

Hardware Fittings



Link Eye - Galvanised Forged Steel



LE

Part Number	Tension Rating (kN)	Standard Pack Quantity
LE-070-1	70	50
LE-120	120	-
LE-160-1	160	-
LE-210-1	210	-
LE-320	320	-

Eye Tongue - Forged



ET

Part Number	Tension Rating (kN)	Bolt Size (mm)	Standard Pack Quantity
ET-070-1	70	M16	25
ET-070-22	70	M20	25
ET-120-1	120	M16	-
ET-160-1	160	M20	-

Twisted Eye Tongue - Forged



TET

Part Number	Tension Rating (kN)	Bolt Size (mm)	Standard Pack Quantity
TET-070	70	M16	25
TET-120-1	120	M16	-
TET-160-1	160	M20	15

Hardware Fittings



Ball Eyes - Galvanised Forged Steel



BE

Part Number	Tension Rating (kN)	Ball Size (mm)	Standard Pack Quantity
BE-070-1	70	16	25
BE-120-1	120	16	-
BE-160-1	160	20	15
BE-210-8	210	20	-

Ball Hook Long Shank - Galvanised Forged Steel



BHL

Part Number	Tension Rating (kN)	Standard Pack Quantity
BHL-070-1	70	25

Note: Safety latch available. Substitute -1 for -2.

Ball Hook Short Shank - Galvanised Forged Steel



BHS

Part Number	Tension Rating (kN)	Standard Pack Quantity
BHS-070-1	70	25

Hardware Fittings



Tongue Hook - Galvanised Forged Steel



Part Number	Tension Rating (kN)	Standard Pack Quantity
TH-070-1	70	25

Tongue Hook/Latched - Galvanised Forged Steel



Part Number	Tension Rating (kN)	Standard Pack Quantity
THL-070-1	70	25

Open Hook Nut - Galvanised Steel



- To suit 16mm and 20mm threaded rods.
- Can be attached to thimble eye bolts or standard bolts where it is necessary to connect to a structure.

Part Number	Thread Size (mm)	Standard Pack Quantity
ENGO-12	M12	50
ENGO-16	M16	50

Hardware Fittings



Link Single Plate



LSP

Link plates are available in 70, 120 and 160kN. Substitute -070 for -120 or -160 respectively.

Part Number	Rating (kN)	Hole Separation (mm)
LSP-070-100	70	100
LSP-070-150	70	150
LSP-070-200	70	200
LSP-070-250	70	250
LSP-070-300	70	300
LSP-070-350	70	350

Link (Plate Double)



L

Link plates are available in 70, 120 and 160kN. Substitute -070 for -120 or -160 respectively.

Part Number	Rating (kN)	Hole Separation (mm)
L-070-100	70	100
L-070-150	70	150
L-070-200	70	200
L-070-250	70	250
L-070-300	70	300
L-070-350	70	350

Yoke Plate - Triangular



YPT

120 kN and 160 kN tension ratings are also available, Replace -070 with -120 or -160 respectively

Part Number	Tension Rating (kN)	Hole Centre Spacing (mm)
YPT-070-070	70	70
YPT-070-100	70	100
YPT-070-125	70	125
YPT-070-150	70	150
YPT-070-200	70	200
YPT-070-250	70	250
YPT-070-380	70	380
YPT-070-460	70	460

Hardware Fittings



Screw Anchor



ANCHOR

- Designed in Australia to out perform the competition with high holding capacity
- One piece high strength steel casting
- No welding to fracture or fail
- Suits both 20mm and 24mm guy rod applications
- Specially designed tip with multiple cutting faces allowing positive entry into all soil types.

Part Number	Blade Diameter	Thread Size (mm)
ANCHOR-262-24	262mm / 10"	M24

Screw Anchor Rod



ANCHOR-ROD

Use with Stay Tensioner or Thimble Eyunut.

Part Number	Thread Size (mm)	Overall Length (mm)	Thread Length (mm)	Description
ANCHOR-ROD-20	M20	2140	60	
ANCHOR-ROD-20A	M20	2140	60	Assembly - Includes 2 x M20 Nuts
ANCHOR-ROD-20BLA	M20	2140	60	Assembled for Buried Log Applications
ANCHOR-ROD-20-3000x150	M20	3000	150	
ANCHOR-ROD-24	M24	2140	60	
ANCHOR-ROD-24A	M24	2140	60	Assembly - Includes 2 x M24 Nuts
ANCHOR-ROD-24-2400x150	M24	2400	150	
ANCHOR-ROD-24-2400x150D	M24	2400	150	Drilled for Split Pin
ANCHOR-ROD-24-3000x150	M24	3000	150	
ANCHOR-ROD-24-3000x150D	M24	3000	150	Drilled for Split Pin
ANCHOR-ROD-24-4500x150	M24	4500	150	
ANCHOR-ROD-24-4500x150D	M24	4500	150	Drilled for Split Pin
ANCHOR-ROD-24BLA	M24	2140	60	Assembled for Buried Log Applications
ANCHOR-ROD-34	M34	6000	150	-
ANCHOR-ROD-36-4000x150	M36	4000	150	-
ANCHOR-ROD-36	M36	6000	150	-

Hardware Fittings



Thimble Eye Nut



- Medium duty
- Manufactured for high strength applications (see page 80)
- Suitable for 16mm, 20mm and 24mm rods

Part Number	Tension Rating (kN)	Thimble Bend Radius	Thread Size (mm)
THEN-16	30	20	M16
THEN-20	144	30	M20
THEN-24	144	30	M24
THEN-UNC1	144	30	1"

U-Bolt Stay Tensioner



Made from galvanised steel for use on staywires and anchors. Used when loads exceed 140 kN.

Part Number	Tension Rating (kN)	Suites Anchor Rod Ø (mm)	Length Total (mm)	Thread Length (mm)	U-Bolt Ø (mm)
GADJ-144-350	144	M24	320	240	M20
GADJ-308-530	308	M30	530	250	M30
GADJ-320-530	320	M36	530	250	M30

Yoke Bar for ABC Suspension



This double suspension yoke bar provides up to 60° line deviation by using two suspension clamps of 30° each.

Part Number	Diameter (mm)	Length - Hook to Hook (mm)	Standard Pack Quantity
YABCOF-150	16	150	25
YABCOF-300	16	300	25



PREFORMED LINE PRODUCTS
(THAILAND) LTD.

Hardware Fittings



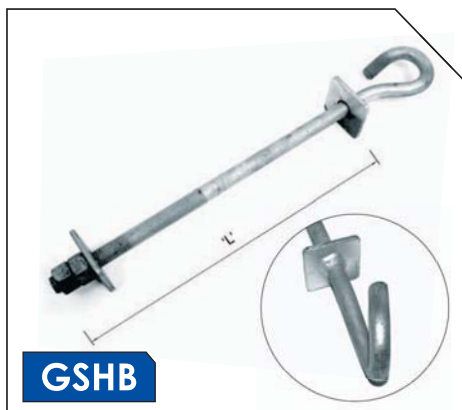
M20 and M24 Elongated Eye Bolt



- This fitting used with the PLP Anchor
- Other lengths available on request

Part Number (M20)	Part Number (M24)	Length (mm)	Threaded Length (mm)
GEBE-20150	GEBE-24150	150	150
GEBE-20200	GEBE-24200	200	150
GEBE-20250	GEBE-24250	250	150
GEBE-20300	GEBE-24300	300	150
GEBE-20350	GEBE-24350	350	150
GEBE-20400	GEBE-24400	400	150
GEBE-20420	GEBE-24420	420	150
GEBE-20450	GEBE-24450	450	150
GEBE-20500	GEBE-24500	500	150
GEBE-20550	GEBE-24550	550	150
GEBE-20600	GEBE-24600	600	150
GEBE-20650	GEBE-24650	650	150
GEBE-20700	GEBE-24700	700	150
GEBE-20750	GEBE-24750	750	150
GEBE-20800	GEBE-24800	800	150
GEBE-202500	GEBE-242500	2500	150

M16 Safety Hook Bolts



Made of galvanised steel for use with either wood or concrete poles.

Part Number	Length (mm)	Pole Diameter Range (mm)	Threaded Length (mm)	Bolt Size (mm)
GSHB-16200	200	61 - 160	150	16
GSHB-16300	300	160 - 260	150	16
GSHB-16400	400	261 - 360	150	16
GSHB-16500	500	361 - 460	150	16

Hardware Fittings



M16 Galvanised Hook Bolts

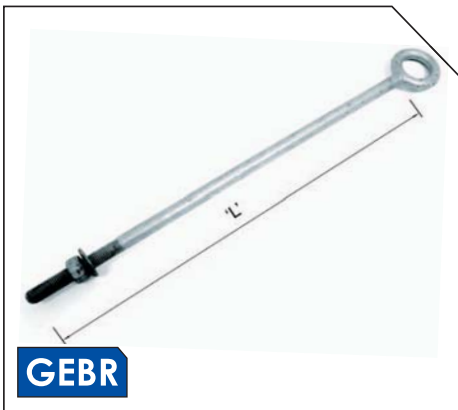


Made of galvanised steel for use with either wood or concrete poles. Straight hook

Part Number	Length (mm)	Threaded Length (mm)	Bolt Size (mm)
GEB-16150-T	150	150	16
GEB-16250-T	250	250	16
GEB-16350-T	350	350	16
GEB-16450-T	450	450	16

Note: Other lengths available on request.

M16 and M20 Round Eye Bolt

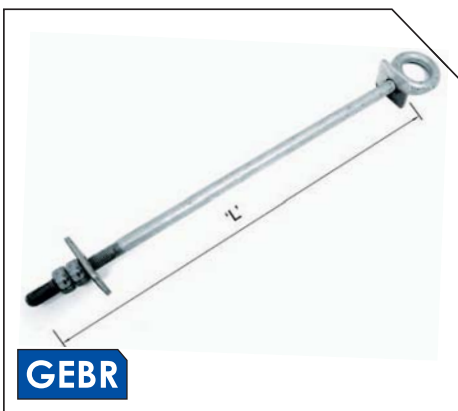


Made of galvanised steel for use with either wood or concrete poles.

Part Number	Length (mm)	Threaded Length (mm)	Part Number	Length (mm)	Threaded Length (mm)
GEBR-16150	150	100	GEBR-20190	190	150
GEBR-16200	200	100	GEBR-20200	200	150
GEBR-16250	250	100	GEBR-20250	250	150
GEBR-16300	300	100	GEBR-20300	300	150
GEBR-16350	350	100	GEBR-20350	350	150
GEBR-16400	400	100	GEBR-20400	400	150
GEBR-16450	450	100	GEBR-20450	450	150
GEBR-16500	500	100	GEBR-20500	500	150
			GEBR-20600	600	150

Note: Other lengths available on request.

M20 Round Eye Bolt - Special Assembly



Made of galvanised steel for use with either wood or concrete poles.

Part Number	Length (mm)	Threaded Length (mm)
GEBR-20400-SQW	400	100
GEBR-20425-SQW	425	100
GEBR-20450-SQW	450	100
GEBR-20475-SQW	475	100
GEBR-20500-SQW	500	100
GEBR-20525-SQW	525	150
GEBR-20550-SQW	550	150
GEBR-20575-SQW	575	150
GEBR-20600-SQW	600	150
GEBR-20650-SQW	650	150



PREFORMED LINE PRODUCTS
(THAILAND) LTD.

Hardware Fittings



M16 Galvanised Pole Step - For Concrete Poles



GPSC

Part Number	Bolt Size (mm)	Length (mm)	Standard Pack Quantity
GPSC-16180	M16	180	25

Galvanised Pole Step - For Wooden Poles



GPSW

Part Number	Bolt Size (mm)	Length (mm)	Standard Pack Quantity
GPSW-16250	M16	250	25

Wire Rope Grip



WRG

Part Number	Conductor Diameter (mm)	Bolt Size (mm)
WRG-08	8.00	M8
WRG-10	9.00 - 10.00	M10
WRG-12	11.00 - 12.00	M12
WRG-14	13.00 - 14.00	M12
WRG-16	16.00	M16
WRG-18	18.00	M16
WRG-21	20.00 - 22.00	M16
WRG-26	24.00 - 26.00	M20
WRG-28	28.00	M20
WRG-32	32.00	M20
WRG-36	36.00	M24
WRG-40	40.00	M24

Hardware Fittings



Parallel Groove Clamps - Aluminium



Many Parallel Groove Clamps are available tin plated for use with copper conductors. Please contact PLP for your specific requirements.

Part Number	Clamp Diameters (mm)	Material
APG-135	5.25 - 13.5	Al
APG-188DG	8.0 - 19.0	Al
APG-188SG	9.0 - 19.0	Al
APG-263104-T	10.4 - 26.3	Tinned Al
APG-163105-T	10.5 - 16.3	Tinned Al
APG-210DG	12.0 - 22.0	Al
APG-315-315-2	16.3 - 33.8	Al
APG-263165-T	16.5 - 26.3	Tinned Al
APG-338165-T	16.5 - 33.8	Tinned Al
APG-238-238	22.0 - 24.0	Al
APG-293-293-1	27.0 - 30.0	Al
APG-315-338-1	31.5 - 33.8	Al

Earth Bonding Clamp - For Permanent Earth Bonds



- Aluminium body
- Stainless fasteners

Part Number	Diameter Range (mm)
EBC-0719	17 - 19
EBC-1937	19 - 37

Split Bolt



Designed to join or tap arial hard drawn or insulated copper conductors while applying an evenly distributed load to ESAA specifications. Available in natural brass or electroplated.

Part Number		Conductor Size (mm ²)	Conductor Diameter (mm)
Natural Brass	Electro Tinned		
HB22	HB22T	16	5.10
HB24	HB24T	35	7.65
HB25	HB25T	70	10.70
HB26	HB26T	95	12.46
HB28	HB28T	185	15.75