

OPGW - Fiberlign®



Fiberlign® Downlead Cushion

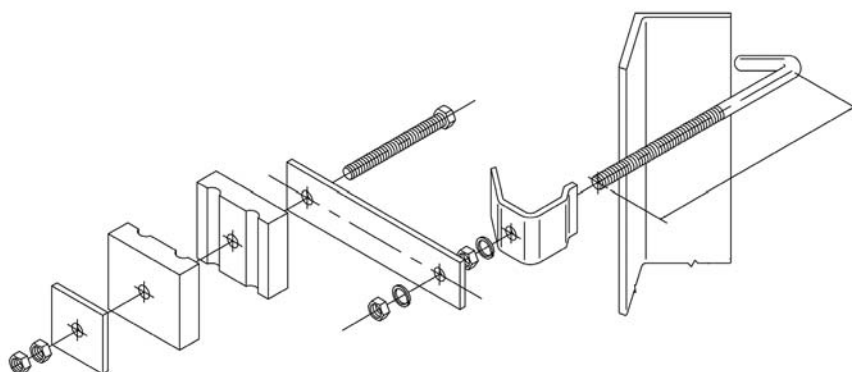


OFDLM

The Fiberlign® Downlead Cushion tower attachment will, with the change of only one component, fit any steel angle size to be found in a transmission line lattice-steel type tower without any drilling or other tower modification.

The actual clamping device will accommodate one or two OPGW or other cables as necessary. The base of the clamp is of diecast aluminium, whereas the top is a polymeric material. The base ensures electrical bonding of the OPGW and the top minimises compressive forces which could be transferred through to the optical elements of the cable.

Part Number	Cable Diameter Range (mm)	Tower Angle Width (mm)
OFDLM-01-A	9.50 - 11.80	45 - 100
OFDLM-01-B	11.90 - 14.30	45 - 100
OFDLM-01-C	14.40 - 16.60	45 - 100
OFDLM-01-D	16.70 - 19.10	45 - 100
OFDLM-02-A	9.50 - 11.80	110 - 150
OFDLM-02-B	11.90 - 14.30	110 - 150
OFDLM-02-C	14.40 - 16.60	110 - 150
OFDLM-02-D	16.70 - 19.10	110 - 150
OFDLM-03-A	9.50 - 11.80	160 - 200
OFDLM-03-B	11.90 - 14.30	160 - 200
OFDLM-03-C	14.40 - 16.60	160 - 200
OFDLM-03-D	16.70 - 19.10	160 - 200
OFDLM-04-A	9.50 - 11.80	210 - 250
OFDLM-04-B	11.90 - 14.30	210 - 250
OFDLM-04-C	14.40 - 16.60	210 - 250
OFDLM-04-D	16.70 - 19.10	210 - 250



OPGW - Fiberlign®



Fiberlign® Downlead Cushion For Concrete or Steel Poles



The Fiberlign® Downlead Cushion will accommodate one or two OPGW or other cables as necessary. The base of the clamp is of diecast aluminium, whereas the top is a polymeric material. The base ensures electrical bonding of the OPGW and the top minimises compressive forces which could be transferred through to the optical elements of the cable.

Part Number	Cable Diameter Range (mm)
OFDLC-8003041B	9.50 - 11.80
OFDLC-8003042B	11.90 - 14.30
OFDLC-8003043B	14.40 - 16.60
OFDLC-8003044B	16.70 - 19.10

Fiberlign® Downlead Cushion With 45° Extension



- For extra extension and greater mobility.
- Available in either 2 or 4 cable clamping configuration.

Part Number Double Clamp	Part Number Quad Clamp	Cable Diameter Range (mm)	Tower angle width (mm)
OFDLM-01-A-2	OFDLM-01-A-4	9.50 - 11.80	45 - 100
OFDLM-01-B-2	OFDLM-01-B-4	11.90 - 14.30	45 - 100
OFDLM-01-C-2	OFDLM-01-C-4	14.40 - 16.60	45 - 100
OFDLM-01-D-2	OFDLM-01-D-4	16.70 - 19.10	45 - 100
OFDLM-02-A-2	OFDLM-02-A-4	9.50 - 11.80	110 - 150
OFDLM-02-B-2	OFDLM-02-B-4	11.90 - 14.30	110 - 150
OFDLM-02-C-2	OFDLM-02-C-4	14.40 - 16.60	110 - 150
OFDLM-02-D-2	OFDLM-02-D-4	16.70 - 19.10	110 - 150
OFDLM-03-A-2	OFDLM-03-A-4	9.50 - 11.80	160 - 200
OFDLM-03-B-2	OFDLM-03-B-4	11.90 - 14.30	160 - 200
OFDLM-03-C-2	OFDLM-03-C-4	14.40 - 16.60	160 - 200
OFDLM-03-D-2	OFDLM-03-D-4	16.70 - 19.10	160 - 200
OFDLM-04-A-2	OFDLM-04-A-4	9.50 - 11.80	210 - 250
OFDLM-04-B-2	OFDLM-04-B-4	11.90 - 14.30	210 - 250
OFDLM-04-C-2	OFDLM-04-C-4	14.40 - 16.60	210 - 250
OFDLM-04-D-2	OFDLM-04-D-4	16.70 - 19.10	210 - 250

