

Conductor Terminations



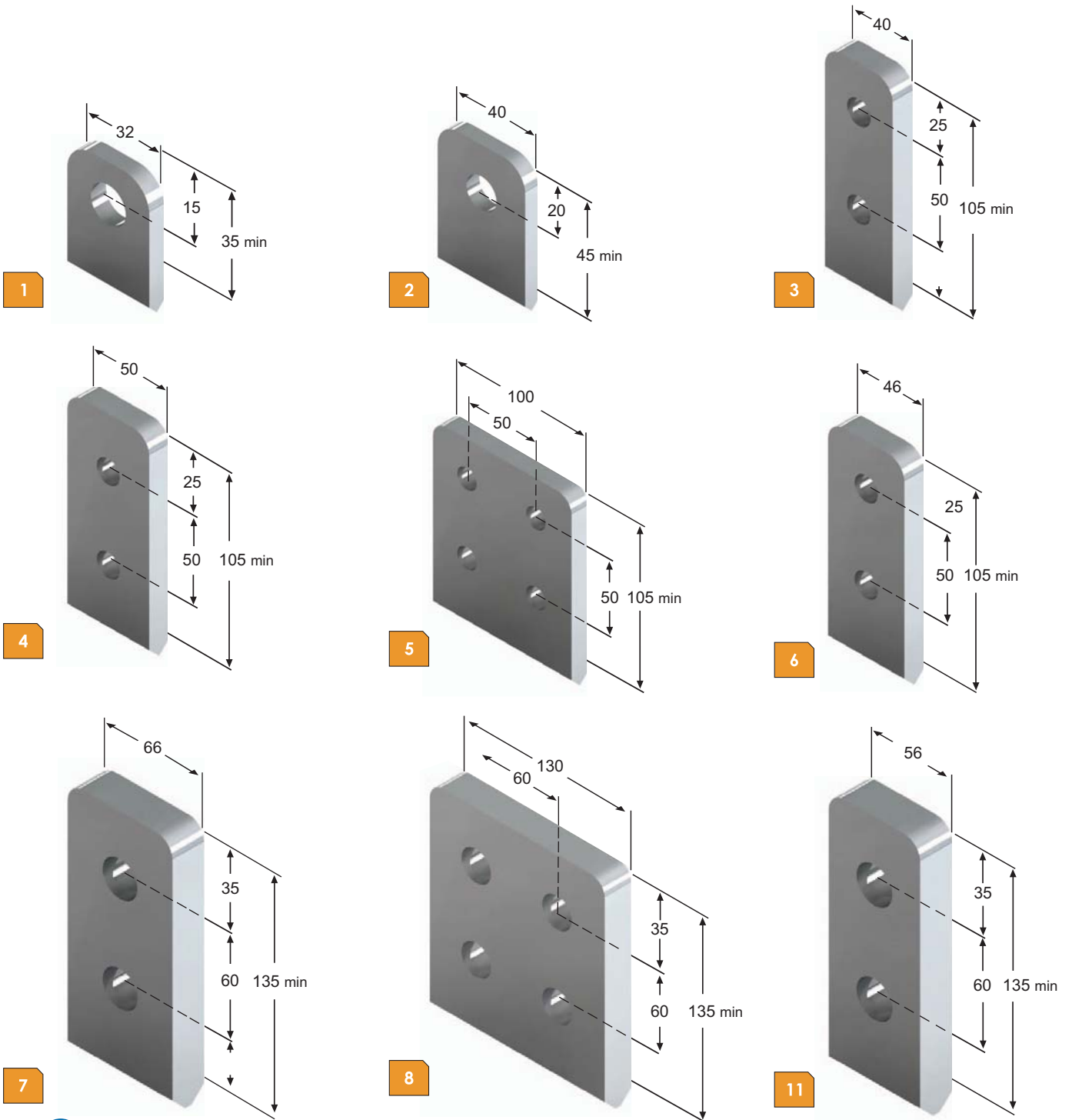
CTA - Aluminium Compression Terminals

Please fill in the following information for PLP to manufacture compression terminals to suit your requirement. Copy and fax or scan and email your completed catalogue page to us.

Fax: (02) 8805 0090 **Email:** sales@prefomed.com.au

Conductor Stranding:

Palm Type: (Choose from Australian standard palm types AS 2395)

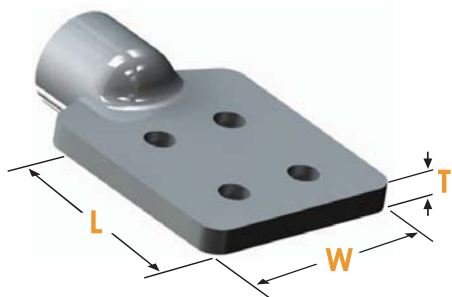


Conductor Terminations



For Non Standard Palm Types - See Below

Palm Dimension (Multiple Hole)



Length:



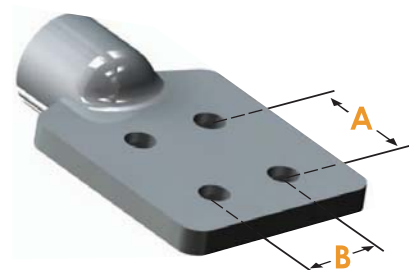
Width:



Thickness:



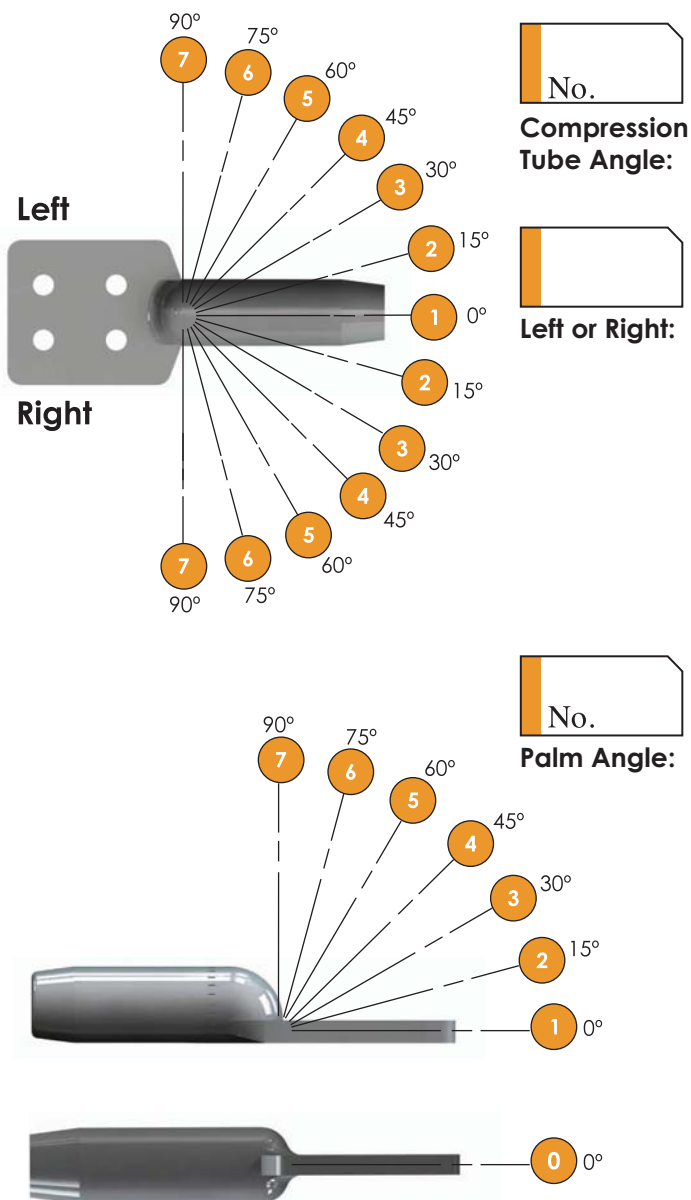
Number of Holes:



Hole Centres:



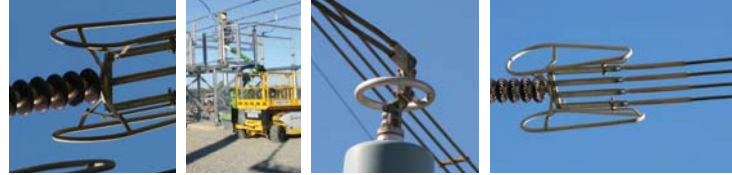
Hole Centres:



Palm Terminal Characteristics - AS 2395

Terminal Number	Bolt Hole Ø (mm)	Net Contact Area (mm) ²	Min Thickness (Al)	Assigned Current Rating (Al)
1	14	780	6	80
2	14	1,430	6	200
3	14	3,670	12	630
4	14	4,670	12	800
5	14	9,300	12	1,250
6	14	4,270	12	630
7	18 or 22	7,730	20	1,250
8	18 or 22	15,300	20	2,000
9	18 or 22	2,100	20	3,150
10	18 or 22	28,100	20	4,000
11	18 or 22	6,430	20	1,000
12	18 or 22	33,300	20	5,000

Conductor Terminations



Compression Terminal Aluminium Pin Type



CTAPT

Pin type compression terminals are used to connect strung bus to equipment bushings and pins. Standard designs will carry 1100Amps but heavier designs are available for higher system loads. Please advise PLP of the current load expected when requesting this product. Tin plating is available as an option where connection onto copper occurs.

Part Number	Conductor Ø (mm)	Bend Angle° (mm)	Pin Ø (mm)
CTAPT-113 - # - *	11.3	#	*
CTAPT-163 - # - *	16.3	#	*
CTAPT-210 - # - *	21	#	*
CTAPT-238 - # - *	23.8	#	*
CTAPT-263 - # - *	26.3	#	*
CTAPT-293 - # - *	29.3	#	*
CTAPT-315 - # - *	31.5	#	*
CTAPT-338 - # - *	33.8	#	*

PART NUMBER SYSTEM

CTAPT	Compression Terminal Aluminium Pin Type
113	Conductor Outer diameter
#	Bend Angle° Enter angle - 0, 15, 30, 45, 90
*	Pin diameter mm, Enter Pin Diameter (25, 30, 40 or 50mm)

Example: CTAPT-113-45-30

Compression Terminal Aluminium Twin (Type)



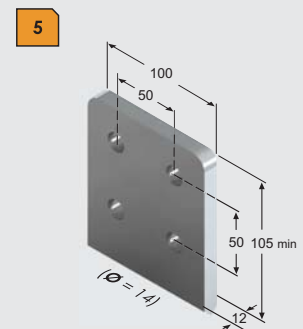
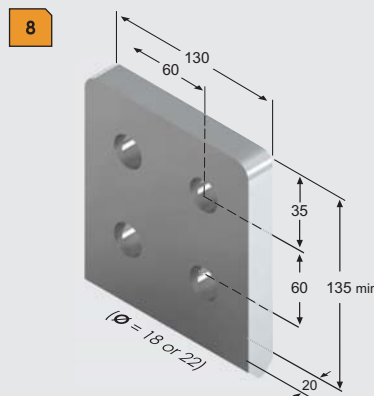
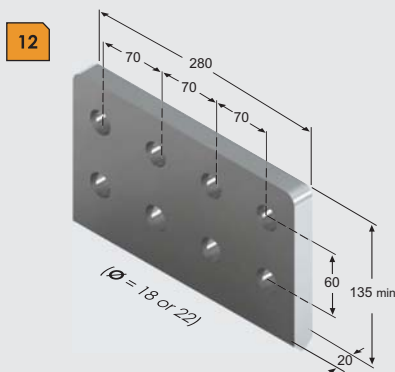
CTAT

Part Number	Conductor Ø (mm)	Conductor Spacing (mm)	Palm Type	Bend Angle °
CTAT-263-A-B-C	26.3	#	AS*	^
CTAT-270-A-B-C	27.0	#	AS*	^
CTAT-293-A-B-C	29.3	#	AS*	^
CTAT-338-A-B-C	33.8	#	AS*	^

PART NUMBER SYSTEM

CTAT	Compression Terminal Aluminium Twin (Type)
263	Conductor Outer diameter
#	Conductor Spacing – 115 or 160
*	Palm Type - e.g. AS1, AS2, AS3
^	Bend Angle° - 0, 15, 30, 45 or 90

Example: CTAT-263-115-AS5-30



Conductor Terminations



Compression Deadend Terminal



CDET

Jumper terminals are manufactured from forged aluminium and have the compression area clearly identified. Compression jumper terminals outlined below are indicative only. Palm angle is normally 30° to match a deadend with an in-line palm. When ordering jumper terminals, please ensure the palm configuration matches the compression deadend palm to which the terminal is to be fitted. Tin plating is available as an option where connection onto copper occurs.

Part Number	Stranding
CDET-163	19/3.25
CDET-175	30/7/2.50
CDET-210	30/7/3.00
CDET-210	37/3.00
CDET-238	19/4.75
CDET-245	30/7/3.50
CDET-263	37/3.75
CDET-270	61/3.00
CDET-270	54/7/3.00
CDET-293	61/3.25
CDET-293	54/7/3.25
CDET-315	61/3.50
CDET-315	54/7/3.50
CDET-338	61/3.75
CDET-338	54/3.75+19/2.25

Aluminium Formed Grip



AFG

Preformed Deadend Grips for AAC, AAAC and Limited Tension on Large Ø ACSR

Part Number	Conductor Stranding	Conductor Diameter (mm)	Colour Code
AFG-053	7/1.75	5.25	purple
AFG-068	7/2.25	6.75	brown
AFG-075	7/2.50	7.50	blue
AFG-083	7/2.75	8.3	white
AFG-090-CL	7/3.00	9.00	red
AFG-113-CL	7/3.75	11.25	black
AFG-135-CL	7/4.50	13.50	green
AFG-143-CL	7/4.75	14.30	blue
AFG-163-CL	19/3.25	16.30	orange
AFG-175-CL	37/2.5	17.5	blue
AFG-188-CL	19/3.75	18.80	black
AFG-210-CL	37/3.00	21.00	red
AFG-240-LT-CL	19/4.75	23.80	blue
AFG-263-LT-CL	37/3.75	26.3	black

LT denotes Limited Tension Grip

Conductor Terminations



Compression Deadends (AAAC Conductors)



Suits both 1120 and 6201 grade aluminium conductors.

Part Number	Stranding
CDEAAAC-135 -1	7/4.50
CDEAAAC-163 -1	19/3.25
CDEAAAC-188 -1	19/3.75
CDEAAAC-210 -1	37/3.00
CDEAAAC-238 -1	19/4.75
CDEAAAC-263 -1	37/3.75
CDEAAAC-270 -1	61/3.00
CDEAAAC-293 -1	61/3.25
CDEAAAC-315 -1	61/3.50
CDEAAAC-338 -1	61/3.75

Please confirm stranding when ordering.

PART NUMBER SYSTEM

CDEAAAC	Compression Deadend AAAC
135	Conductor Outer diameter
-1	Standard

Compression Deadends (AAC Conductors)



Part Number	Stranding
CDEA-163 -1	19/3.25
CDEA-175 -1	19/3.50
CDEA-188 -1	19/3.75
CDEA-210 -1	37/3.00
CDEA-238 -1	19/4.75
CDEA-293 -1	61/3.25
CDEA-338 -1	61/3.75

Please confirm stranding when ordering.

PART NUMBER SYSTEM

CDEA	Compression Deadend AAC
163	Conductor Outer diameter
-1	Standard